



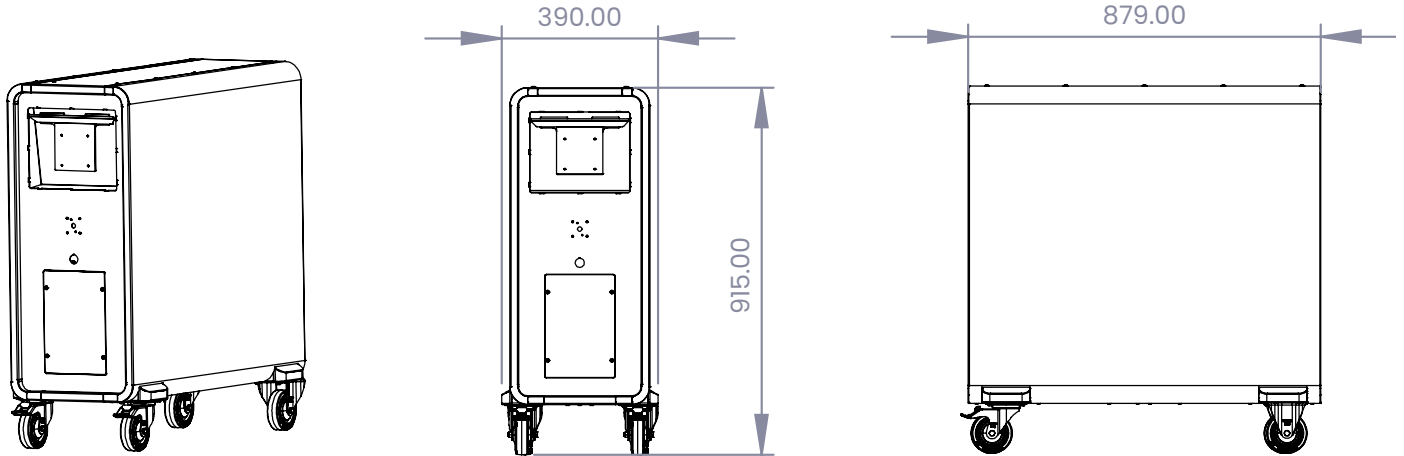
# Pulse100 ToolClean

Comprex® Pulse100 is an innovative cleaning system specifically designed for tools and molds, machines, and temperature control units based on our patented cleaning technology.

- › **Mobile and versatile**  
thanks to compact dimensions
- › **Mechanical cleaning with flow direction change**  
without the use of chemicals
- › **Intelligent control software**  
with simple user guidance and status evaluation
- › **Improved cycle times and product quality**  
through patented cleaning technology
- › **Resource-saving closed-loop operation**  
with optional ConnectBox

# Pulse100: Outside dimensions. Inside performance.

## Dimensions



## Specifications

Applicable nominal diameter <sup>1</sup>	DN 2 ... DN 20
Media supply	Compressed air / water / electrical energy
Permissible media temperature	50 °C
Nominal pressure rating	PN 10
Standard connections <sup>1</sup>	G 1/2" female thread, ISO 228-1
Minimum water supply pressure	2 bar
Water requirement	0.5 m <sup>3</sup> /h
Minimum air supply pressure	5 bar
Compressed air requirement	< 1 Nm <sup>3</sup> /min
Supply voltage	220–240 V AC
Power consumption	< 100 W
IP rating	IP20
Control	Manual via touchscreen
Weight	85 kg

<sup>1</sup> Can be customized to customer requirements

### We love challenges!

In addition to standard solutions, we work with you to develop customized systems that are perfectly suited to your processes. Contact us – we will find the right solution for you.

This is how our patented  
Comprex® process works:

